

HA Headset Stand

Desk mount for headphones and headsets

The HA Headset Stand is a desk mount for almost all commercially available headphones and headsets.

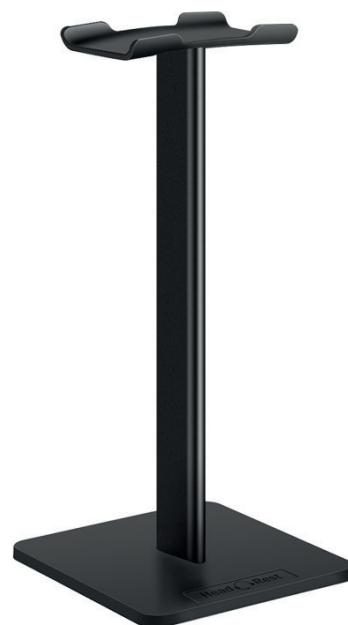
The holder can be flexibly positioned anywhere on the desk or on the shelf. Due to the small footprint of 95 x 95 mm, it is easy to find a suitable space.

The silicone inserts on the underside of the stand ensure a secure and non-slip hold.

The socket for the headphones / headsets is soft and adapts to the headband of the device.

Thanks to its minimalist design, the HA headset stand fits on every desk.

The holder is available in plain black or as a bi-color version in white and silver.



flexible mount



available in 2 colours



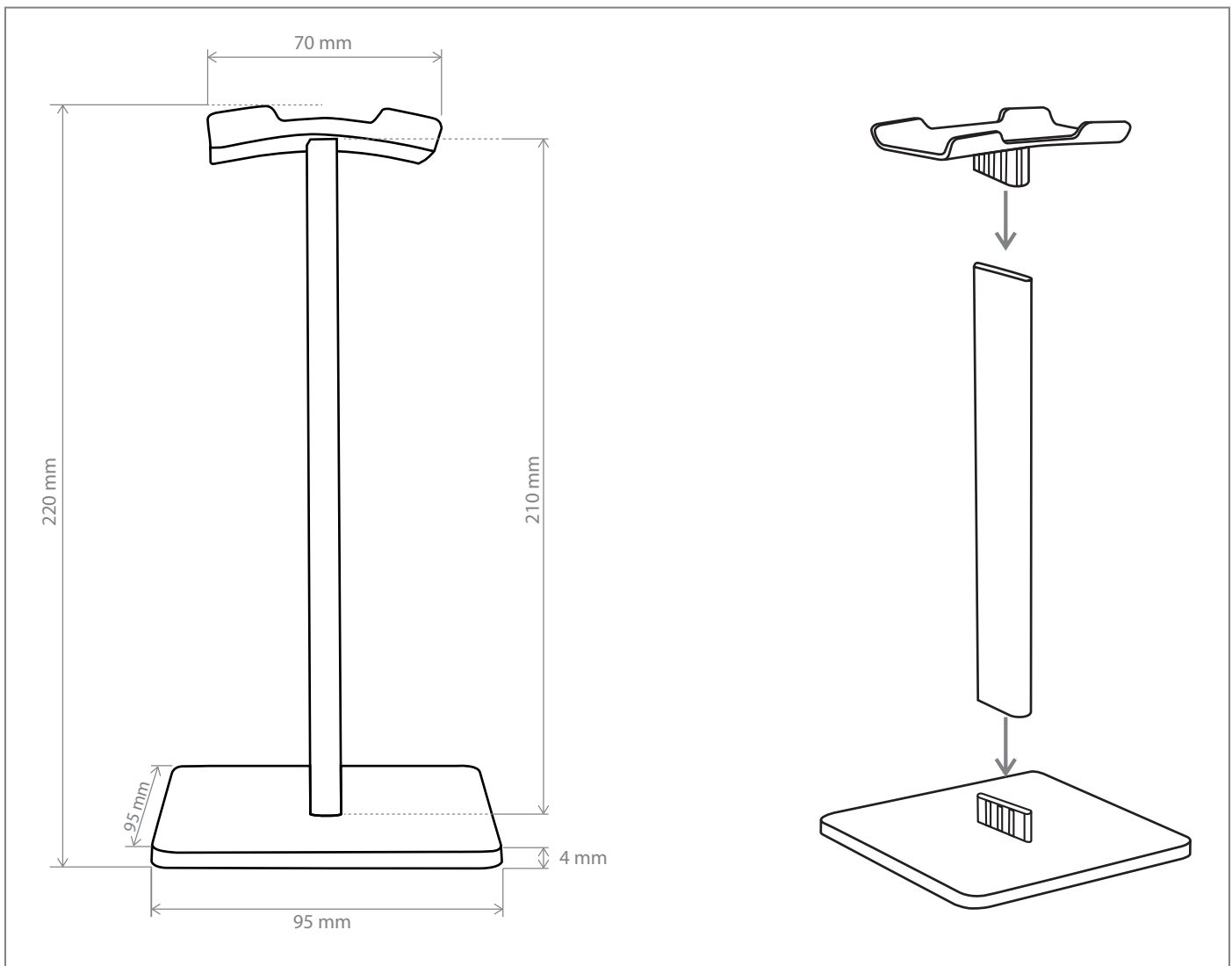
easy assembly

Technical changes reserved

HA Headset Stand

Desk mount for headphones and headsets

- suitable for almost all commercially available Headphones and Headsets
- space-saving and flexible to position
- available in black or bi-colour white / silver
- Material: aluminum and plastic
- Stand area: 95 x 95 mm
- Total height: 220 mm
- Non-slip silicone inserts on the underside
- flexible shelf holder
- easy assembly
- HA Headset Stand, black Item no.: 8711
- HA Headset Stand, bi-colour Item no.: 8712



Technical changes reserved